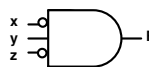


Unit 9

Fundamental Digital Building Blocks: Decoders & Multiplexers

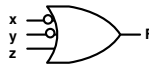
Checkers / Decoders

- Recall
 - AND gates output '1' for only a single combination
 - OR gates output '0' for only a single combination
 - Inputs (inverted or non-inverted) determine which combination is checked for
 - We say that gate is "checking for" or "decoding" a specific combination



X	Y	Z	F
0	0	0	0
0	0	1	0
0	1	0	1
0	1	1	0
1	0	0	0
1	0	1	0
1	1	0	0
1	1	1	0

AND gate decoding
(checking for)
combination 010



X	Y	Z	F
0	0	0	1
0	0	1	1
0	1	0	1
0	1	1	1
1	0	0	1
1	0	1	1
1	1	0	0
1	1	1	1

OR gate decoding
(checking for)
combination 110

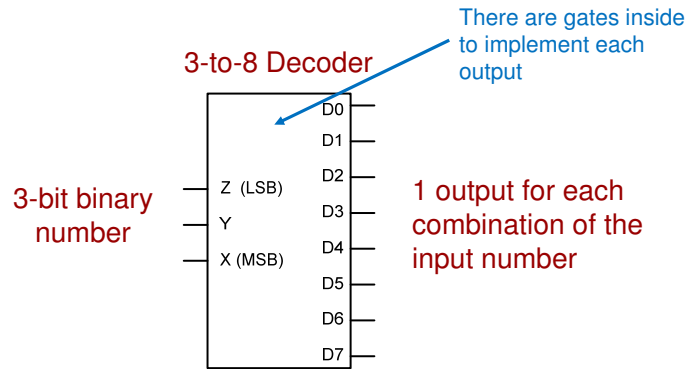
Motivation

- Just like there are patterns and structures that occur commonly in nature, there are several common logic structures that occur over and over again in digital circuits
 - Decoders, Multiplexers, Adders, Registers
- In addition, we design hardware using a **hierarchical** approach
 - We design a **small component** using **basic logic gates** (e.g. a 1-bit mux)
 - We build a **large component** by interconnecting many copies of the **small component** + a few extra gates (e.g. a 32-bit mux)
 - We build **chips** by interconnecting many **large components** (e.g. a router)
 - Each components is truly made out of many gates but the design process is faster and easier by using hierarchy
- Let's look at a few common components
 - We'll start by describing the behavior of the component and then determine what gates are inside

DECODERS

Decoders

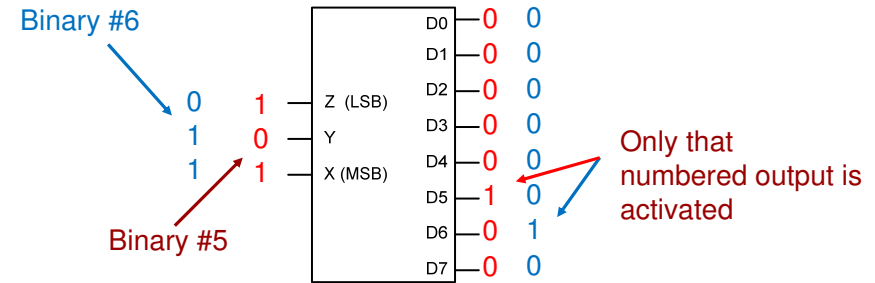
- A decoder is a building block that:
 - Takes in an n-bit binary number as input
 - Decodes that binary number and activates the corresponding output
 - Individual outputs for _____ input combinations



Decoders

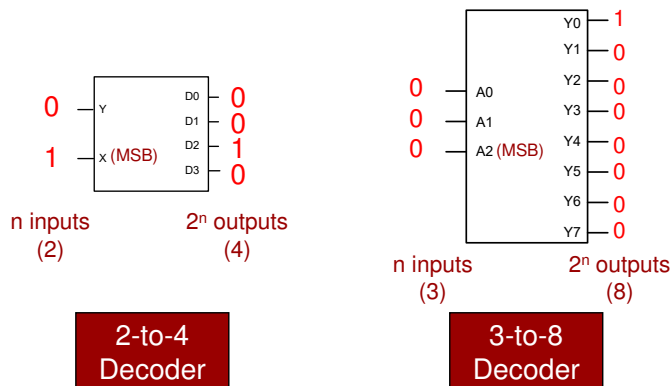
- A decoder is a building block that:
 - Takes a binary number as input
 - Decodes that binary number and activates the corresponding output
 - Put in 6=110, Output 6 activates ('1')
 - Put in 5=101, Output 5 activates ('1')

X	Y	Z	D0	D1	D2	D3	D4	D5	D6	D7
0	0	0	1	0	0	0	0	0	0	0
0	0	1	0	1	0	0	0	0	0	0
0	1	0	0	0	1	0	0	0	0	0
0	1	1	0	0	0	1	0	0	0	0
1	0	0	0	0	0	0	1	0	0	0
1	0	1	0	0	0	0	0	1	0	0
1	1	0	0	0	0	0	0	0	1	0
1	1	1	0	0	0	0	0	0	0	1



Decoder Sizes

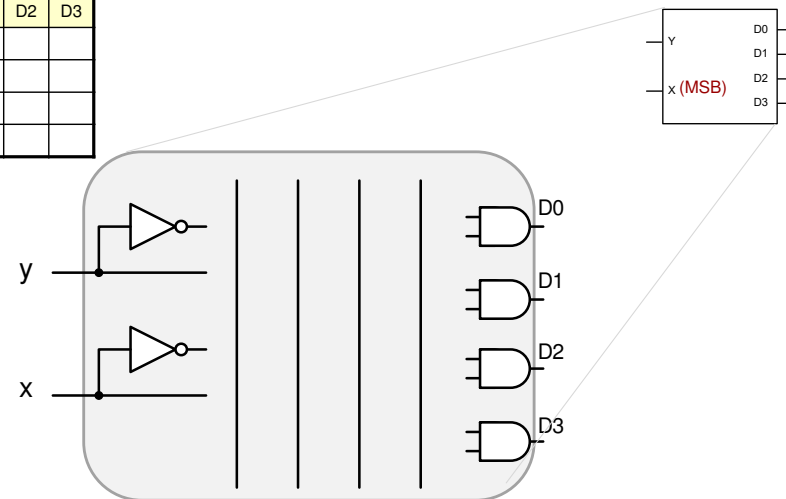
- A decoder w/ an n-bit input has 2ⁿ outputs
 - 1 output for every combination of the n-bit input



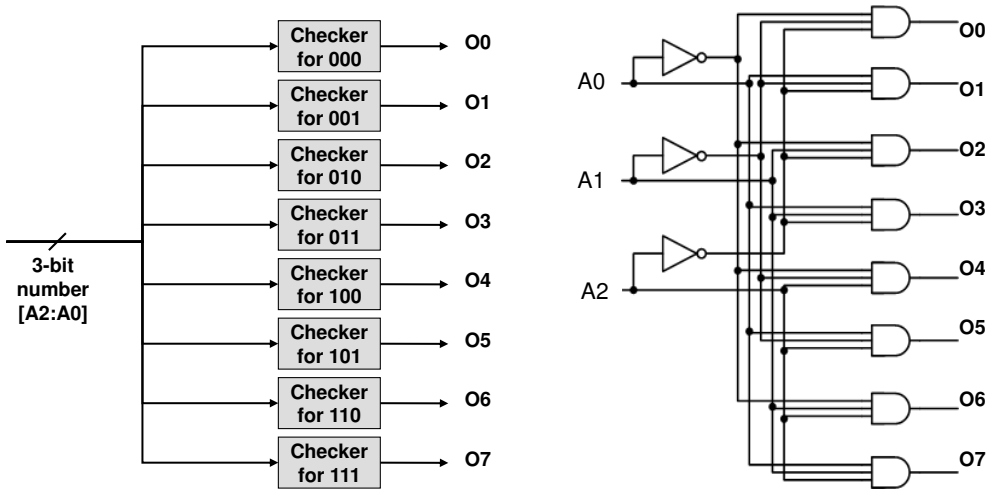
Exercise

- Complete the design of a 2-to-4 decoder

X	Y	D0	D1	D2	D3
0	0				
0	1				
1	0				
1	1				



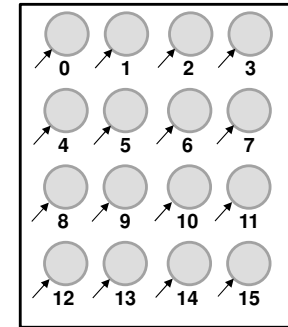
Building Decoders



Vending Machine Example

Assuming the keypad produces a 4-bit numeric output, add logic to produce the release signals for each of the 16 vending items.

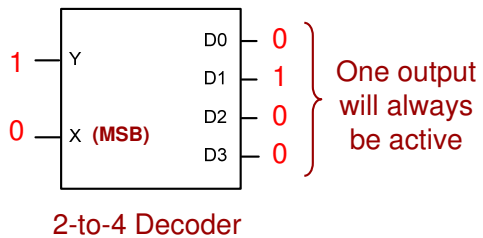
1	2	3
4	5	6
7	8	9
	0	



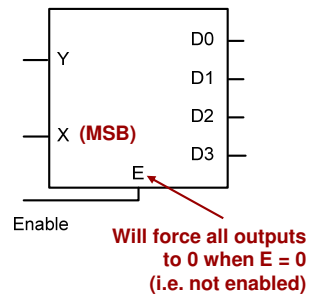
Consider any problems with this design.

Enables

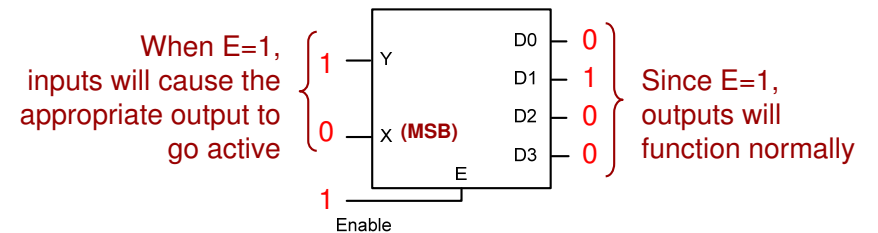
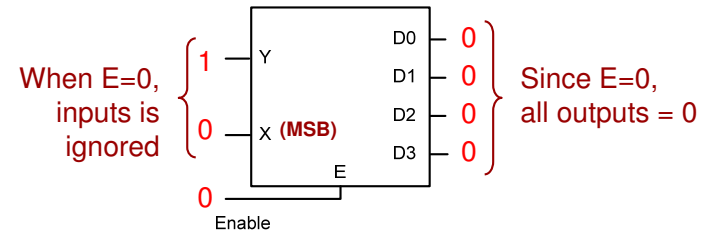
- In a normal decoder exactly one output is active at all times
- It may be undesirable to always have an active output
- We can add an extra input (called an enable) that can independently force all the outputs to their inactive values



2-to-4 Decoder

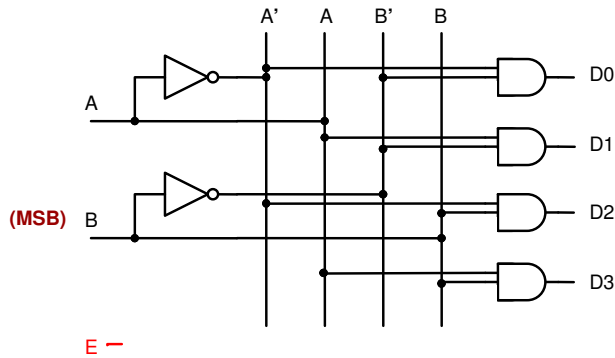


Enables



Implementing Enables

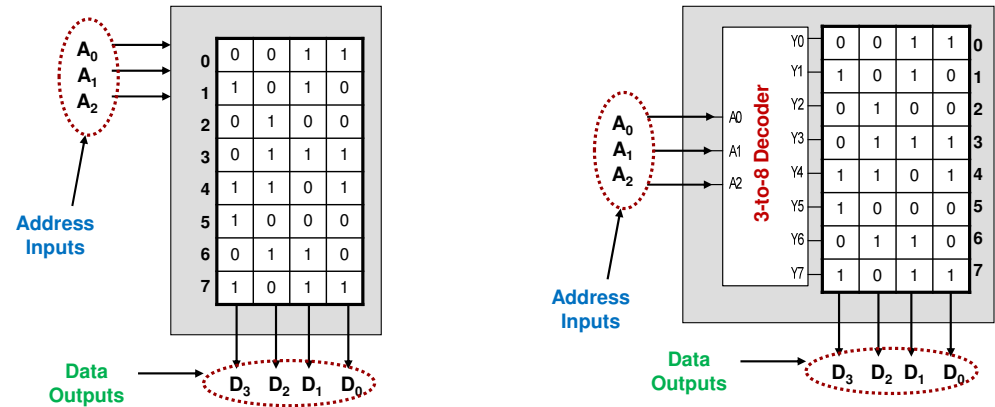
- Original 2-to-4 decoder



When E=0, force all outputs = 0
 When E=1, outputs operate as they did originally

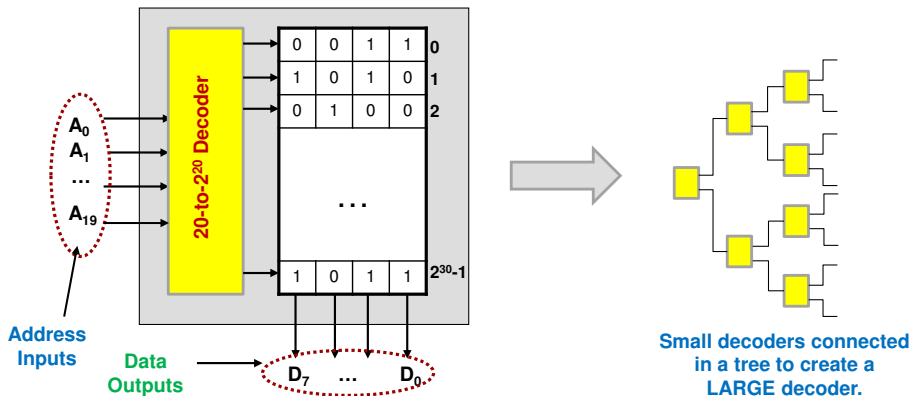
Another Application of Decoders: Memories

- All memory (RAMs, ROMs) use decoders to select the desired data given an address (each location/byte corresponds to one address combination)
- If you have a 1 MB (2^{20} bytes) RAM, there is a 20-to- 2^{20} decoder present in that device



Building Large Decoders

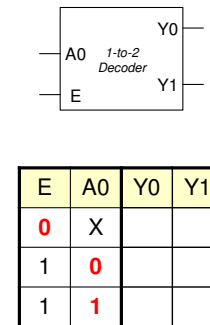
- If you have 1 MB (2^{20} bytes) RAM, there is a 20-to- 2^{20} decoder present in that device
- How can we create such large decoders?
 - Through hierarchy (building-block methodology)...usually of linear chains or tree-based structures



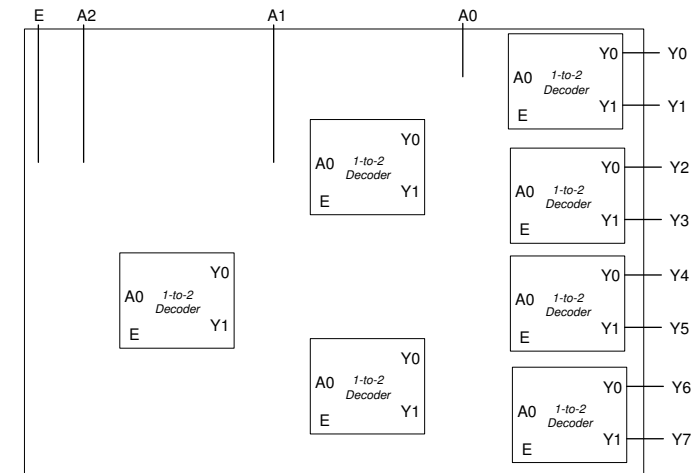
Larger Decoder Exercise 1

- Build a 3-to-8 decoder from 1-to-2 decoders

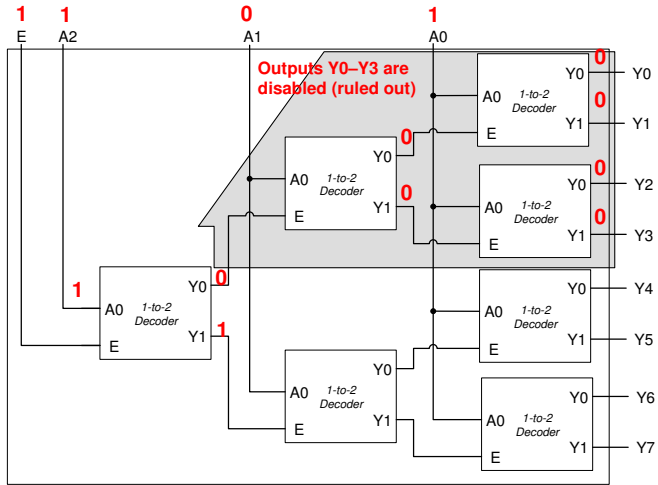
1-to-2 Decoder Operation



X = not relevant (same result for all possible values of A0)



Larger Decoder Exercise 1a

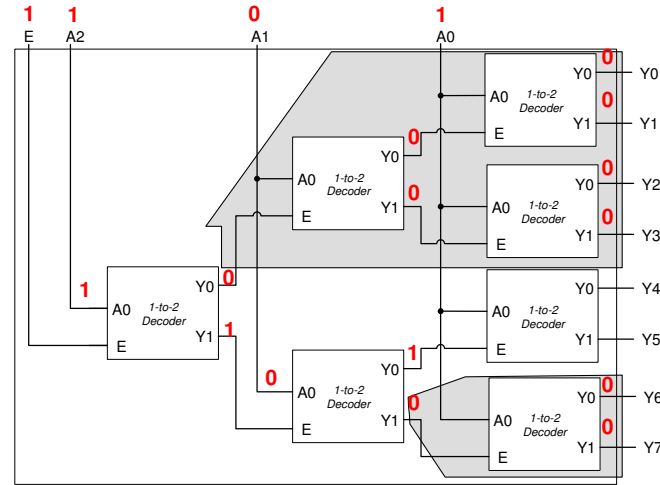


Outputs Y0-Y3 are disabled (ruled out)

A ₂	A ₁	A ₀	Active Output
0	0	0	Y ₀
0	0	1	Y ₁
0	1	0	Y ₂
0	1	1	Y ₃
1	0	0	Y ₄
	0	1	Y ₅
	1	0	Y ₆
	1	1	Y ₇

Decode the MSB...possible combos = 4-7

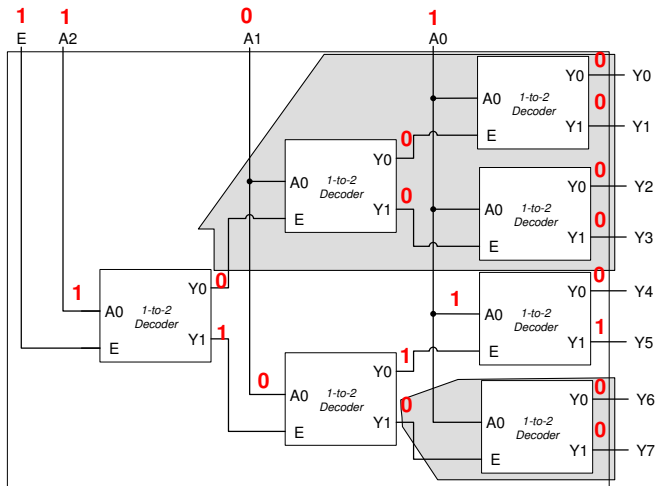
Larger Decoder Exercise 1b



A ₂	A ₁	A ₀	Active Output
0	0	0	Y ₀
0	0	1	Y ₁
0	1	0	Y ₂
0	1	1	Y ₃
1	0	0	Y ₄
	0	1	Y ₅
	1	0	Y ₆
	1	1	Y ₇

Decode the A₁ ...possible combos = 5-6

Larger Decoder Exercise 1c



A ₂	A ₁	A ₀	Active Output
0	0	0	Y ₀
0	0	1	Y ₁
0	1	0	Y ₂
0	1	1	Y ₃
1	0	0	Y ₄
	0	1	Y ₅
	1	0	Y ₆
	1	1	Y ₇

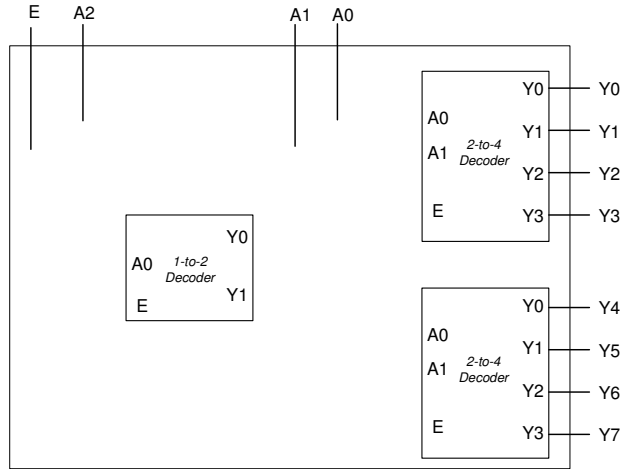
Decode the A₀ ...possible combo = 5

General Tree Decoder Approach

- Step 1: Outputs of one stage should connect to the _____ of the next stage
- Step 2: All decoders in a stage (level) should decode the same _____
 - Usually, the MSB is connected to the first stage and LSB to the last stage

Larger Decoder Exercise 2

- Different size decoders can be utilized
 - Build a 3-to-8 decoder using 1-to-2 and 2-to-4 decoders

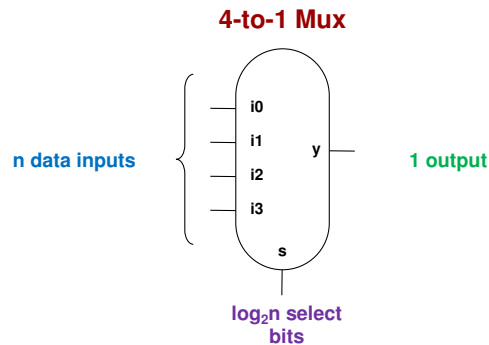


The if..else of digital hardware

MULTIPLEXERS

Multiplexers

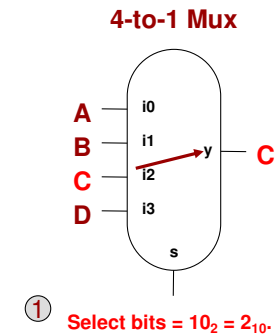
- Multiplexers are one of the most common digital circuits
- Anatomy: n data inputs, $\log_2 n$ select bits, 1 output
- A multiplexer (“mux” for short) selects one data input and passes it to the output



S ₁	S ₀	Y
0	0	i ₀
0	1	i ₁
1	0	i ₂
1	1	i ₃

Multiplexers

② Thus, input 2 = C is selected and passed to the output



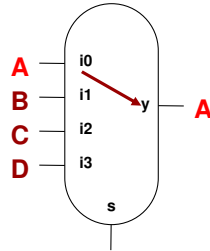
① Select bits = $10_2 = 2_{10}$.

S ₁	S ₀	Y
0	0	i ₀
0	1	i ₁
1	0	i ₂
1	1	i ₃

As long as the select bits are $10_2 = 2$, whatever bit value appears on input 2 is copied to the output, same as if we had just wired input 2 directly to the output.

Multiplexers

4-to-1 Mux



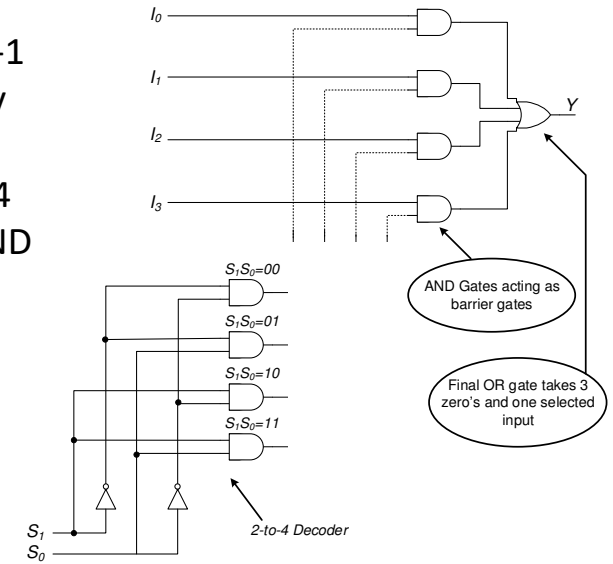
② Thus, input 0 = A is selected and passed to the output

① Select bits = $00_2 = 0_{10}$.

S_1	S_0	Y
0	0	i_0
0	1	i_1
1	0	i_2
1	1	i_3

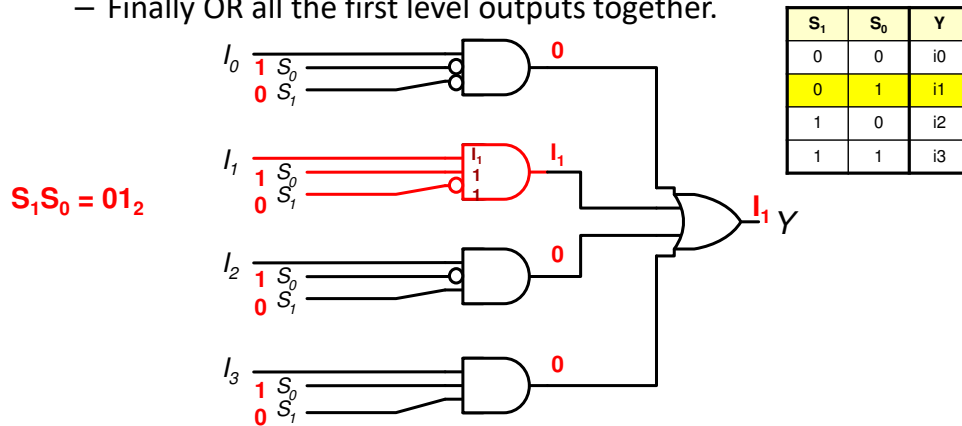
Exercise: Build a 4-to-1 mux

- Complete the 4-to-1 mux to the right by drawing wires between the 2-to-4 decode and the AND gates



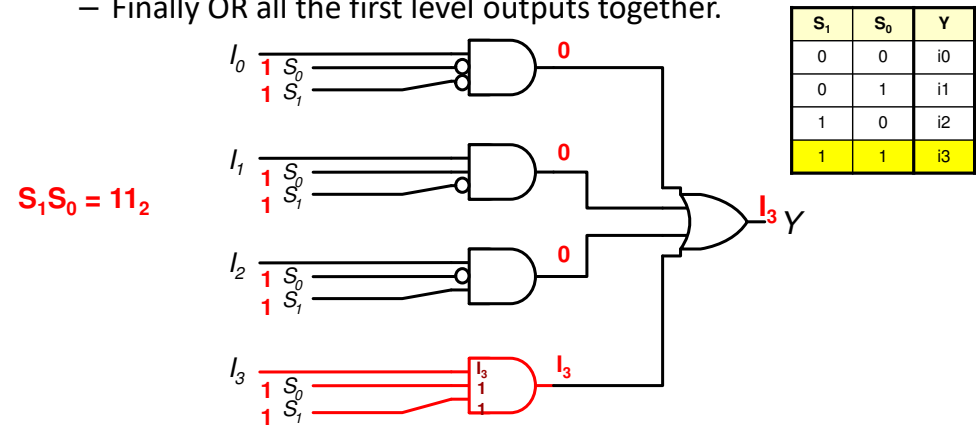
Building a Mux

- To build a mux
 - Decode the select bits and include the corresponding data input.
 - Finally OR all the first level outputs together.



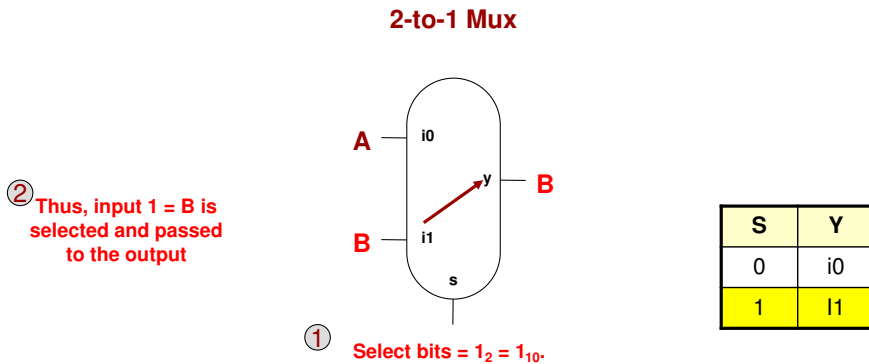
Building a Mux

- To build a mux
 - Decode the select bits and include the corresponding data input.
 - Finally OR all the first level outputs together.



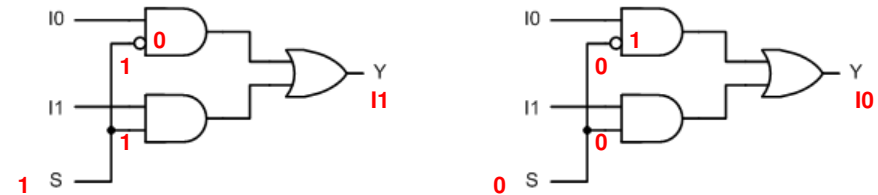
2-to-1 Multiplexers

- We can have design and build muxes with any number of inputs (2-to-1, 5-to-1, 16-to-1, etc.)



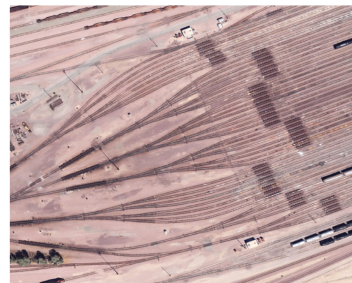
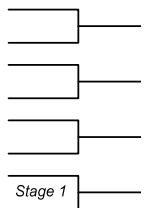
Building a 2-to-1 Mux

- To build a mux
 - Decode the select bits and include the corresponding data input.
 - Finally OR all the first level outputs together.



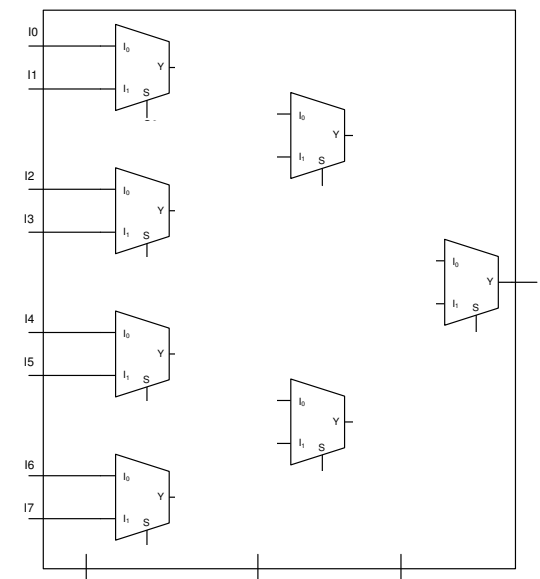
Building Large Muxes

- When we build large muxes, the number of inputs to the gates grows too large to build them directly
- Instead, we will build larger muxes from smaller muxes
- Similar to a tournament of sports teams
 - Many teams enter and then are narrowed down to 1 winner
 - In each round winners play _____



Railroad Switch Station

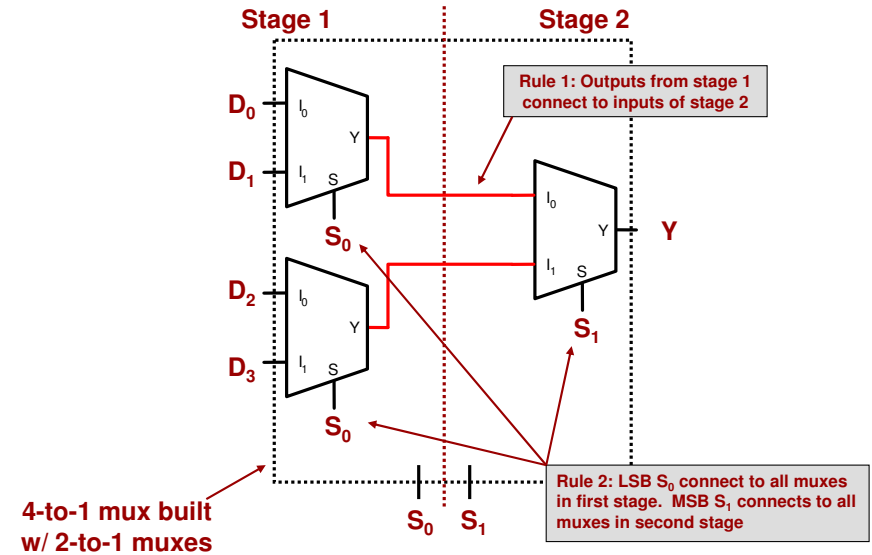
Design an 8-to-1 mux with 2-to-1 Muxes



Cascading Muxes

- Use several small muxes to build large ones
- Rules
 1. Arrange the muxes in stages (based on necessary number of inputs in 1st stage)
 2. Outputs of one stage feed to inputs of the next until only 1 final output
 3. All muxes in a stage connect to the same group of select bits
 - Usually, LSB connects to first stage
 - MSB connect to last stage

Building a 4-to-1 Mux

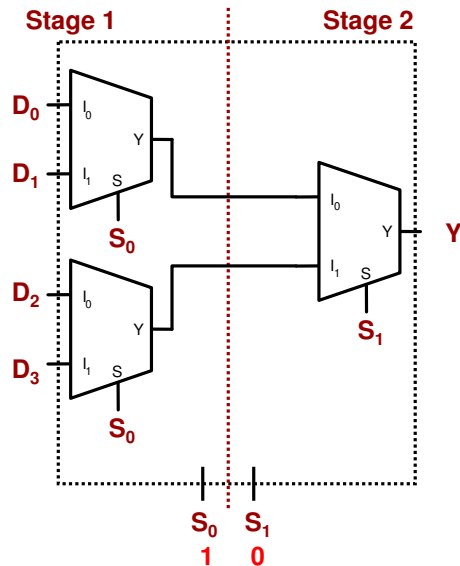


Building a 4-to-1 Mux

S_1	S_0	Y
0	0	D_0
0	1	D_1
1	0	D_2
1	1	D_3

Walk through an example:

$S_1 S_0 = 01$

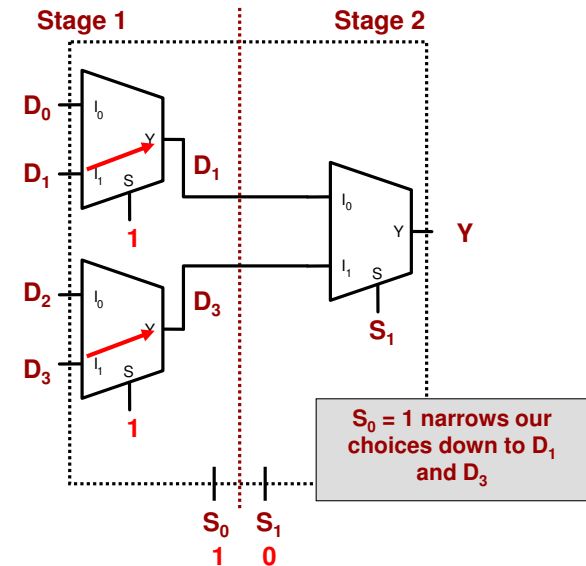


Building a 4-to-1 Mux

S_1	S_0	Y
0	0	D_0
0	1	D_1
1	0	D_2
1	1	D_3

Walk through an example:

$S_1 S_0 = 01$

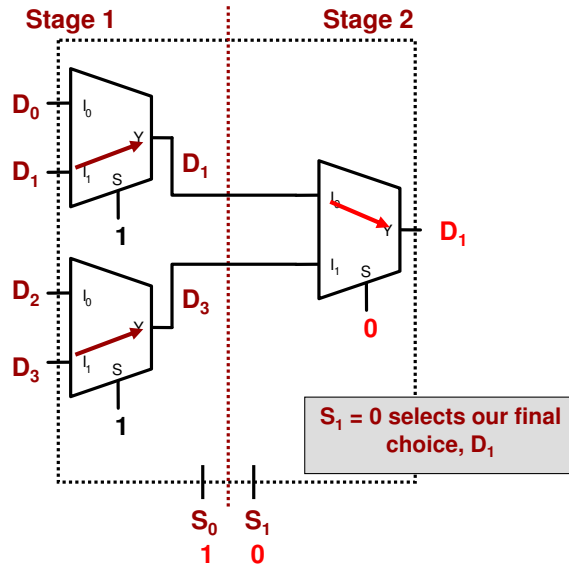


Building a 4-to-1 Mux

S ₁	S ₀	Y
0	0	D ₀
0	1	D ₁
1	0	D ₂
1	1	D ₃

Walk through an example:

$S_1 S_0 = 01$



Device vs. System Labels

- When using hierarchy (i.e. building blocks) to design a circuit be sure to show both device and system labels
 - Device Labels: Signal names used _____ the block
 - _____ names the designer/manufacturer of the block uses to indicate which input/output is which to the outside user (Names may _____; read the manual)
 - System labels: Signal names used _____ the block
 - _____ signals from the circuit being built
 - Can have the same name as the device label if such a signal name exists at the outside level

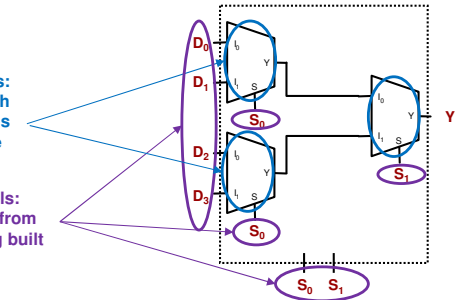
Analogy: Formal and Actual parameters in software function calls

- a and b are like device labels and indicate the names used inside a block.
- x and y are like system labels and represent the actual values to be used.

```
int div(int i0, int i1)
{ int t = i0/i1;
  return t; }
int main()
{
  int d0=10, d1=2;
  int s = div(d0,d1);
}
```

Device Labels: Indicate which input/output is which inside the block.

System Labels: Actual signals from the circuit being built



Exercise

- Sketch how you could build a 16-to-1 mux with 4-to-1 muxes? 8-to-1 and 2-to1 muxes?

Exercise

- Create a 3-to-1 mux using 2-to-1 muxes
 - Inputs: I0, I1, I2 and select bits S1,S0
 - Output: Y

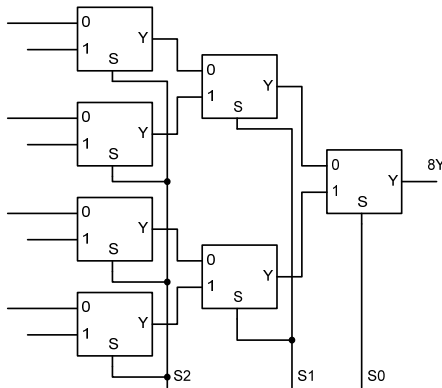
S ₁	S ₀	Y
0	0	I ₀
0	1	I ₁
1	0	I ₂

I₀ -
I₁ -
I₂ -

Y

Select-bit Ordering

- If we connect the select bits as shown to build an 8-to-1 mux, show how to label the inputs (i0-i7) so that the correct input is passed based on the binary value of S2:S0



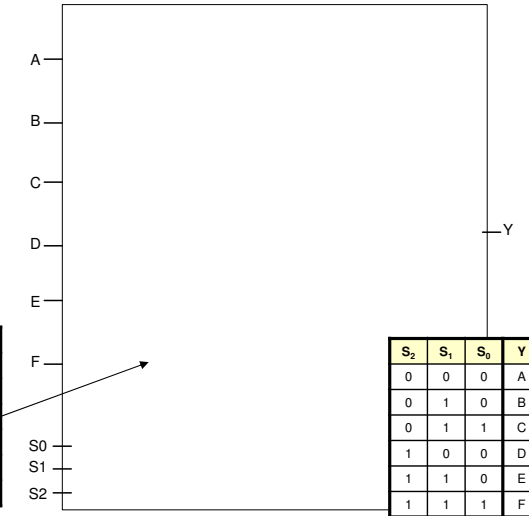
Selects			OUT Y
S ₂	S ₁	S ₀	
0	0	0	
1			
0	1		
1			
0	0	1	
1			
0	1		
1			

Alternate Select Bit Ordering Example

- Given 6 inputs: A-F, design a 6-to-1 mux from 4- and 2-to-1 muxes that uses the following select bit combinations

S ₂	S ₁	S ₀	Y
0	0	0	A
0	1	0	B
0	1	1	C
1	0	0	D
1	1	0	E
1	1	1	F

S ₂	S ₁	S ₀	Y
0	0	0	A
0	1	0	B
0	1	1	C
1	0	0	D
1	1	0	E
1	1	1	F



Tip 1: Whatever inputs you connect to a 4-to-1 mux, must correspond to 2 select bits that take on all combinations: 00, 01, 10, 11

Tip 2: For later stages, the select bit you connect must differentiate all potential options on 1 input from all the options on another (e.g. S1 differentiates A,D from B,C,E,F)

Another way to multiplex

TRI-STATE GATES

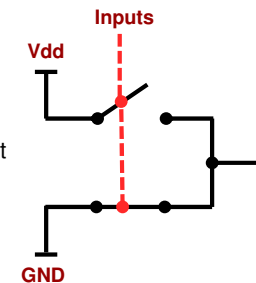
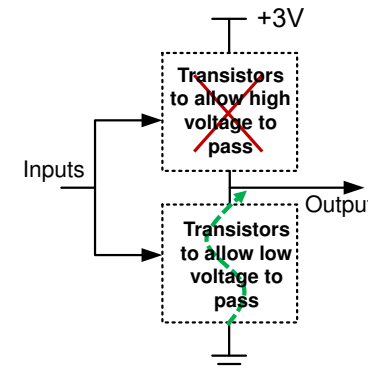
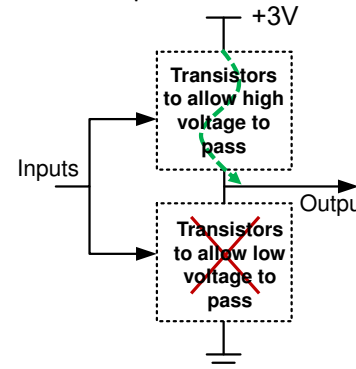
Typical Logic Gate

- Gates can output two values: 0 & 1
 - Logic '1' (Vdd = 3V or 5V), or Logic '0' (GND)
 - But they are ALWAYS outputting something!!!
- Analogy: a sink faucet
 - 2 possibilities: Hot ('1') or Cold ('0')
- In a real circuit, inputs cause *EITHER* a pathway from output to VDD *OR* VSS

Hot Water = Logic 1

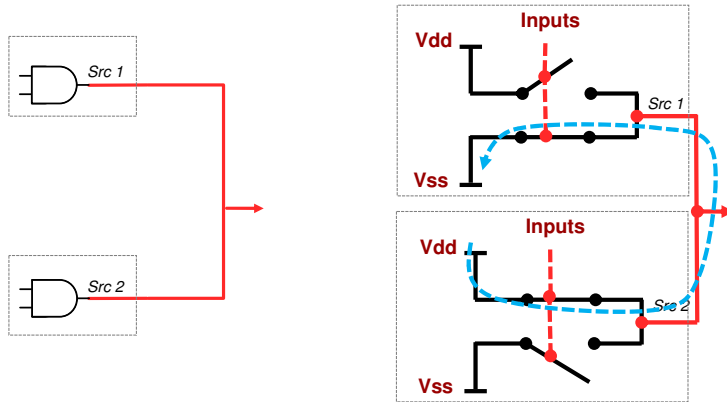
Cold Water = Logic 0

(Strapped together so always one type of water coming out)



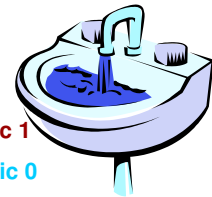
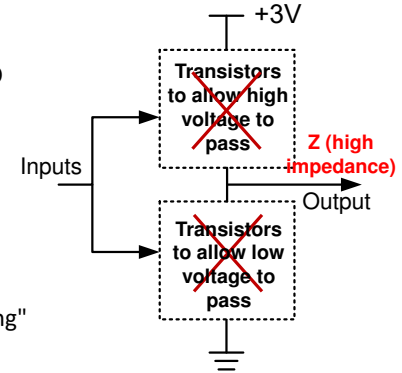
Output Connections

- Can we connect the output of two logic gates together?
- _____! Possible _____ (static, low-resistance pathway from Vdd to GND)
- We call this situation “ _____ ”



Tri-State Buffers

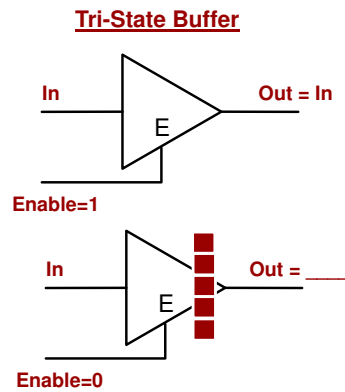
- Normal digital gates can output two values: 0 & 1
 1. Logic 0 = 0 volts
 2. Logic 1 = 5 volts
- Tristate buffers can output a third value:
 3. _____ = _____ = "Floating"
(no connection to any voltage source...infinite resistance)
- Analogy: a sink faucet
 - 3 possibilities:
 - 1.) Hot water,
 - 2.) Cold water,
 - 3.) _____ water



Hot Water = Logic 1
Cold Water = Logic 0
___ Water = Z (High-Impedance)

Tri-State Buffers

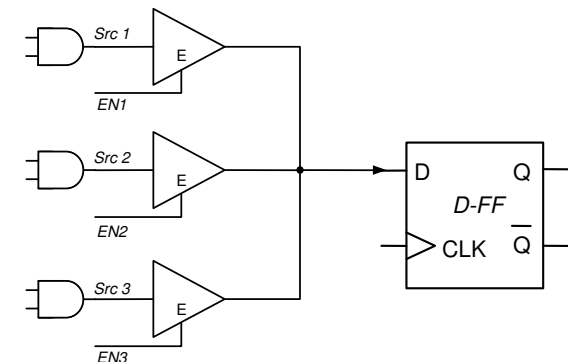
- Tri-state buffers have an extra enable input
- When disabled, output is said to be at high impedance (a.k.a. Z)
- High Impedance is equivalent to no connection (i.e. floating output) or an infinite resistance
- It's like a brick wall between the output and any connection to source
- When enabled, normal buffer



En	In	Out
0	-	Z
1	0	0
1	1	1

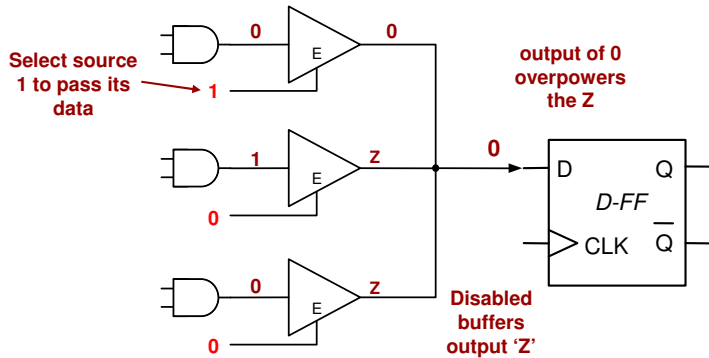
Tri-State Buffers

- We use tri-state buffers to _____ one output amongst several sources
- Rule: Only _____ at a time



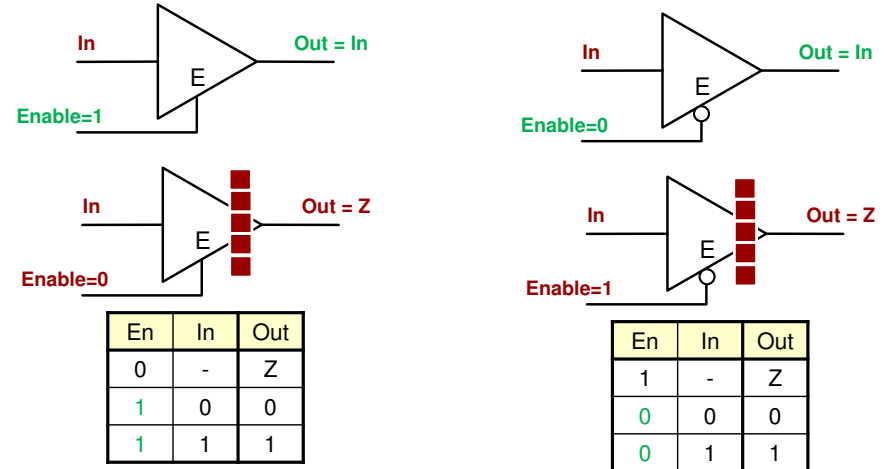
Tri-State Buffers

- We use tri-state buffers to share one output amongst several sources
- Rule: Only 1 buffer enabled at a time
- When 1 buffer enabled, its output overpowers the Z's (no connection) from the other gates



Enable Polarity

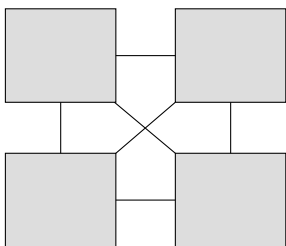
- **Side note:** Some tri-states are design to pass the input (be enabled) when the enable is 0 (rather than 1)
 - A inversion bubble is shown at the enable input to indicate the "_____" polarity needed to enable the tristate



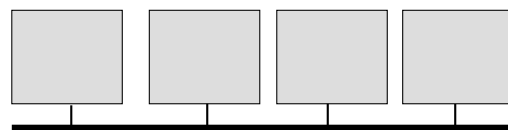
Communication Connections

- Multiple entities need to communicate
- We could use
 - Point-to-point connections
 - A _____

Separate point to point connections

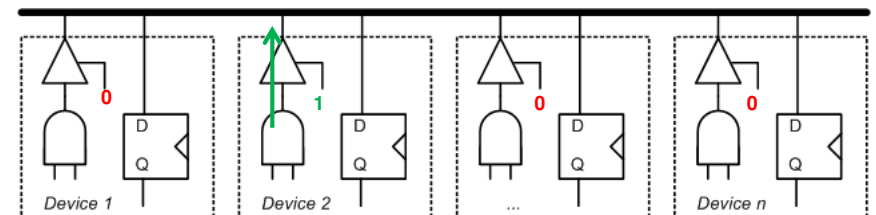


Shared Bus



Bidirectional Bus

- 1 transmitter (otherwise bus contention)
- N receivers
- Each device can send (though 1 at a time) or receive



Tri-State Gates

- Advantage: don't have to know in advance how many devices will be connected together
 - Tri-State gates give us the option of connecting together the outputs of many devices without requiring a circuit to multiplex many signals into one
- Just have to make sure only one is enabled (output active) at any one time.

